



Future Lock Security

275 Maroondah Hwy, Ringwood Victoria 3134
 Phone: (03) 9870 2125 Fax: (03) 9879 7255

Electronic Security Division

Digital Alarm Systems
 Latest Technology Detectors,
 Diallers & 24hr Monitoring,
 Intercoms & CCTV,
 Access Control Systems
 Electronic Locking Devices
Complete Mobile Service
Locksmith Service



15th March 1991

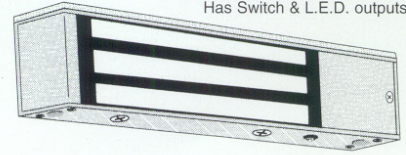
Security Firm License 653-820-01S

Member ASIAL, MLAA

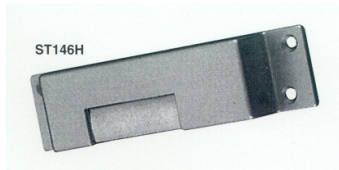
ABN: 50 457 305 265

www.futurelock.com.au

ML01H 12 / 24v
 Single door application
 Has Switch & L.E.D. outputs

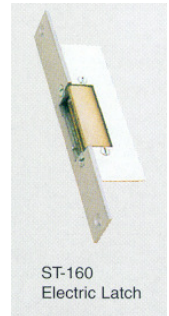
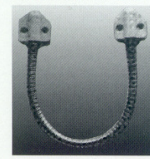


Access Control System

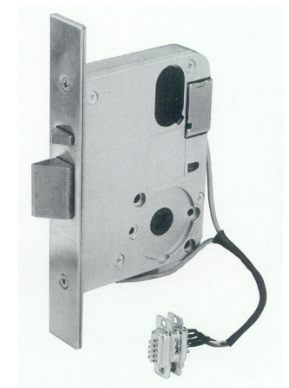
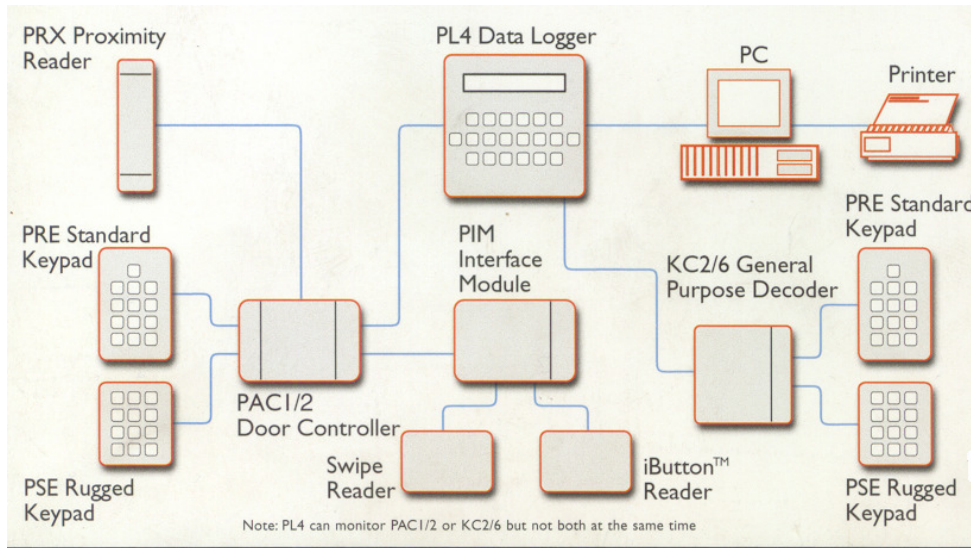


PRX Indoor Proximity Reader

Armoured 8mm S/S
 Door Loop or cut to size



ST-160
 Electric Latch



The Presco **Data Logger** offers an affordable access control solution for small businesses. Now you can record events when they happen and view them with the press of a button. The Presco Data Logger provides a user friendly platform for control of up to 8 access points with the option of printing data continuously, storing it for later viewing or downloading to a PC.

Features

- 128kB of RAM stores over 6,000 events and 400 user details
- Store codes, names, events and setup data for 20 days without power
- Connect to PC or printer

The **Presco PRX proximity reader** is designed to operate with the Presco PAC series of decoders as an addition to the range or with other access controllers that accept Wiegand format readers. When the PRX proximity reader is used with a PAC series decoder it can be cabled with low cost 4 core security cable (non-shielded), making the PRX unique because most other proximity readers have to be cabled with expensive shielded cable.

Features

- PRX can be separated from PAC by up to one kilometer
- PRX combined with PAC gives great flexibility allowing installation almost anywhere



Sprite Outdoor Proximity Reader

The **Presco Keypad** designed to be used in conjunction with the complete range of Presco decoders in areas where keypad security is desired. When a keypad is coupled with any PAC series door access controller you get the benefits of a cost effective door access control solution with all of the features of the Presco system.

Features

- Over 19,000,000 possible code combinations
- Digits can repeat, for example: 1234321
- Audible and visual confirmation of all actions
- Sealed tactile buttons
- Water resistant construction